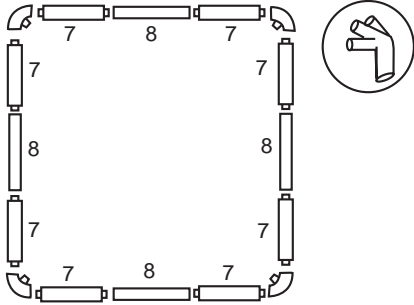


10' x 10' "CORONADO II" PAVILION

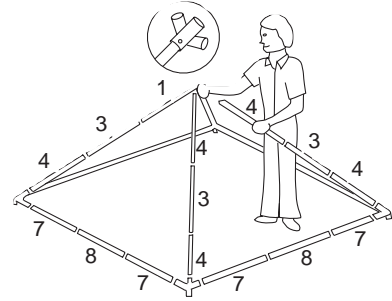
Item No. 24840

Assembly Instructions

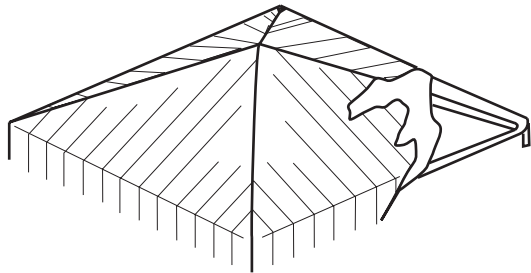
- 1. Top Frame Assembly:**
Lay out corner pieces and connect the horizontal frame pieces.



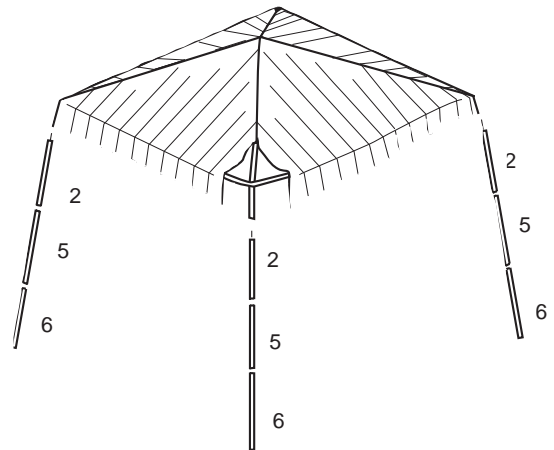
- 2. Connect ridge members into peak member.** Be sure to support peak member by hand while connecting ridge member. Note: #1 pole is preassembled with peak joint already.



- 3. Pull Pavilion cover tightly over assembled top frame.**
Attach velcro onto the frame.

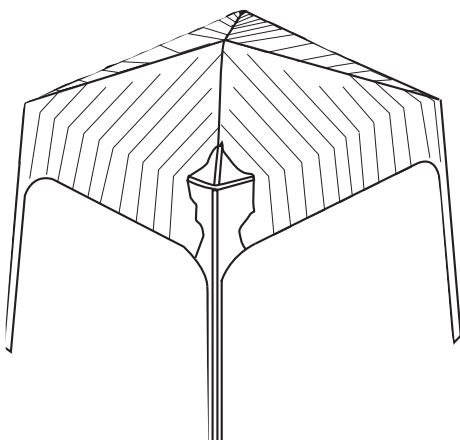


- 4. Lift up covered top frame.** Insert upper set of leg poles.



- 5. Lift covered frame higher and insert bottom set of leg poles.** Pull Pavilion cover over frame and legs tightly all around and attach at lower leg holes.

NOTE: STAKE DOWN YOUR PAVILION FROM THE INSIDE BOTTOM OF LEG MATERIAL.



PARTS LIST		
Part #	Desc.	Qty
1	NO.1 POLE	1
2	NO. 2 POLE	4
3	NO. 3 POLE	4
4	NO. 4 POLE	7
5	NO. 5 POLE	4
6	NO. 6 POLE	4
7	NO. 7 POLE	8
8	NO. 8 POLE	4
9	CORNER JOINT	4
10	PEAK JOINT	1

