

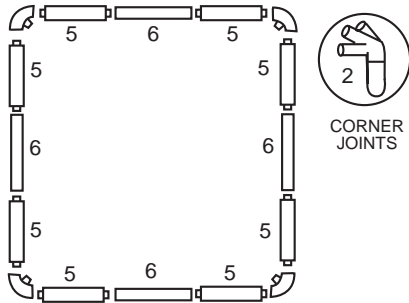
10' x 10' "DEL REY" DELUXE PAVILION

Item No. 24855

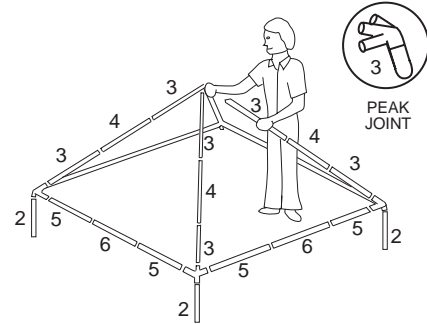
Assembly Instructions

1. Top Frame Assembly:

Lay corner joints out and connect horizontal frame.

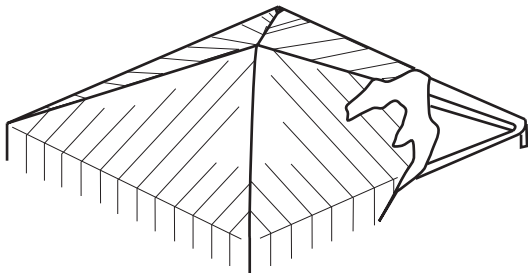


2. Connect ridge poles to peak joint. Support peak joint by hand while connecting ridge poles.



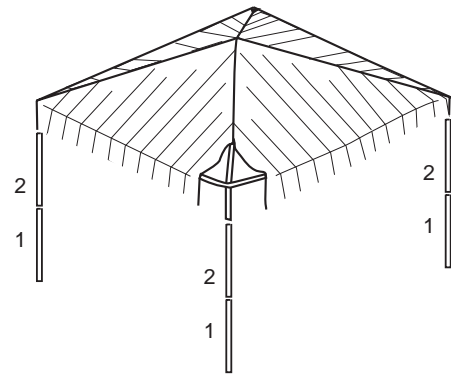
3. Pull Pavilion cover tightly over assembled top frame.

Clip Velcro onto the frame. Do Not secure Velcro corner fasteners at this time.



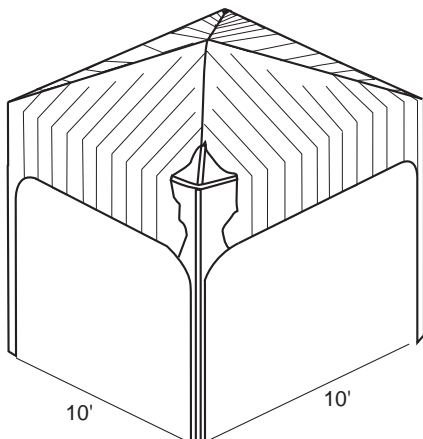
4. Join leg poles #1 to #2 lift up covered top frame.

Insert assembled leg poles into top frame.



5. Pull pavilion cover tightly all around and hook the

bottom corner of cover to the holes of the 4 corner legs. Make sure that the space between all the corners is 10' x 10'. Stake down your pavilion. Attach Velcro corner fasteners.



NOTE: STAKE DOWN YOUR PAVILION FROM THE INSIDE BOTTOM OF LEG MATERIAL.

PARTS LIST		
Part #	Desc.	Qty
1	NO.1 POLE	4
2	NO. 2 POLE	4
3	NO. 3 POLE	8
4	NO. 4 POLE	4
5	NO. 5 POLE	8
6	NO. 6 POLE	4
7	CORNER JOINT	4
8	PEAK JOINT	1
9	PAVILION COVER	1
10	STAKE	4
11	POLE BASE	4

