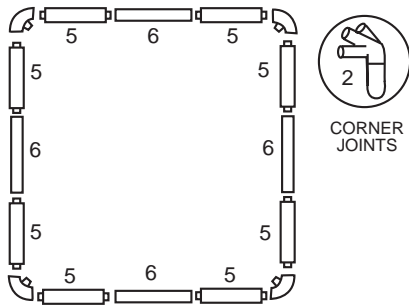


10' x 10' "ST. TROPEZ" DELUXE SCREENED PAVILION

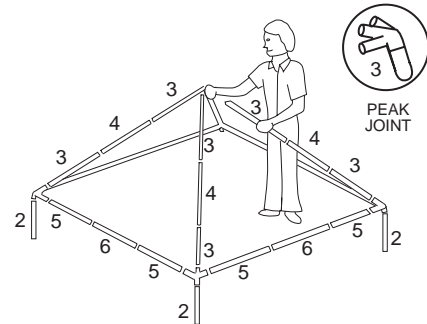
Item No. 24870

Assembly Instructions

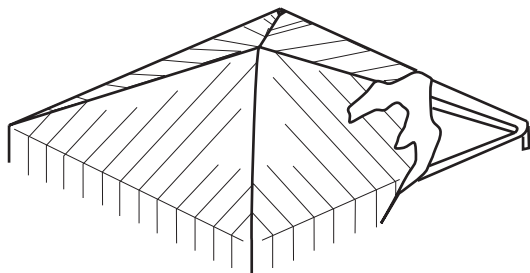
- 1. Top Frame Assembly:**
Lay corner joints out and connect horizontal frame.



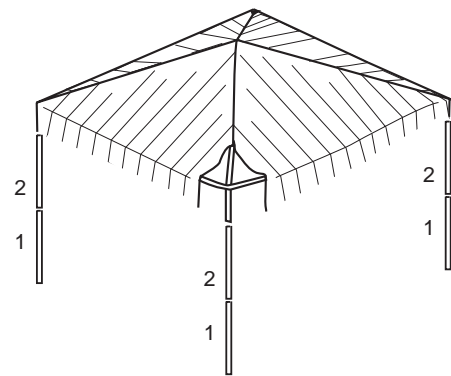
- 2. Connect ridge poles to peak joint. Support peak joint by hand while connecting ridge poles.**



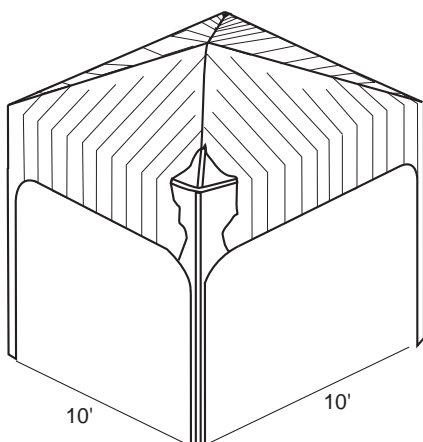
- 3. Pull Pavilion cover tightly over assembled top frame. Clip Velcro onto the frame. Do Not secure Velcro corner fasteners at this time.**



- 4. Join leg poles #1 to #2 lift up covered top frame. Insert assembled leg poles into top frame.**



- 5. Pull pavilion cover tightly all around and hook the bottom corner of cover to the holes of the 4 corner legs. Make sure that the space between all the corners is 10' x 10'. Stake down your pavilion. Attach Velcro corner fasteners.**



NOTE: STAKE DOWN YOUR PAVILION FROM THE INSIDE BOTTOM OF LEG MATERIAL.

PARTS LIST		
Part #	Desc.	Qty
1	NO.1 POLE	4
2	NO. 2 POLE	4
3	NO. 3 POLE	8
4	NO. 4 POLE	4
5	NO. 5 POLE	8
6	NO. 6 POLE	4
7	CORNER JOINT	4
8	PEAK JOINT	1
9	PAVILION COVER	1
10	STAKE	8
11	POLE BASE	4

