

MOUNTAIN VIEW SCREEN HOUSE

Item No. 735

Assembly Instructions

• OUTSIDE POLES

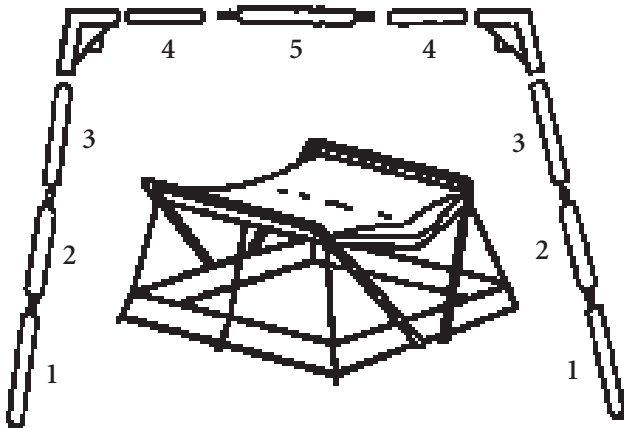


FIG. 1

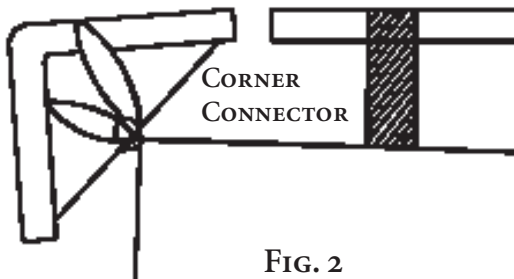


FIG. 2

• INSIDE POLES

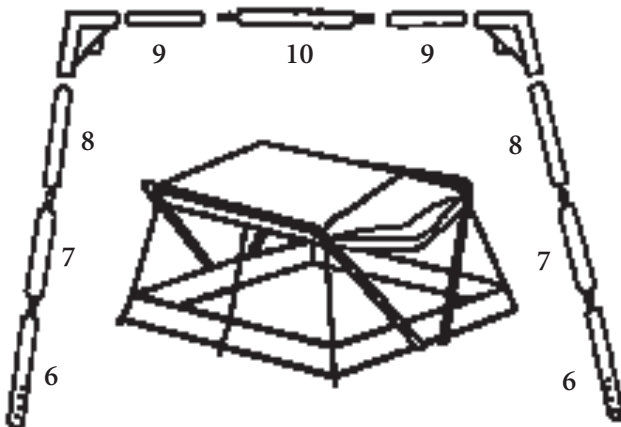


FIG. 3

- Select a level portion of ground, in a sheltered area if possible. Avoid hilltop and high wind areas.

- Spread out your ScreenHouse Make sure your zip-pers are closed. Drive one stake through each corner loop, keeping the corner square and taut. Drive in the remaining stakes, except the one by the zipper.

- Join the #4 poles to the #5 poles through the large loops at the roof edges (fig.1).

- Join the #1 & #2 & #3 poles together in (fig.1) and then join #4 & #3 into the corner connector.

- Raise the outside frames into position (fig. 1). At least two people are needed.

- Unzip door. Assemble frame inside (fig. 3) (note: put pole #7 into adjustable pole #6 to hole nearest the top.

- Raise frame part way into position. Tie the frame in place with the inside ties located at the peak ends of roof. Raise frame to vertical position.

- Adjust #6 pole upward until the roof is tight and then adjust outside frames to hold shape tight (however not too tight).

- Drive in the stake at the bottom of the zippered door opening so that the zipper operates freely.

- Tie outside pole ties (fig. 2).

- On windy or rainy days use ropes and stakes to hold top of outside frames. These are not included.

WARNING: DO NOT USE ANY FIRE OR STOVE IN OR NEAR YOUR SCREENHOUSE. DO NOT PLACE IT DOWN WIND OF ANY CAMPFIRE.

